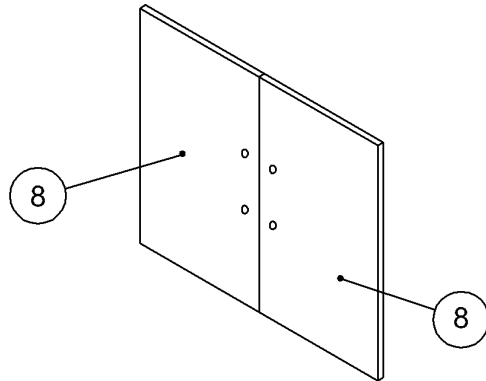
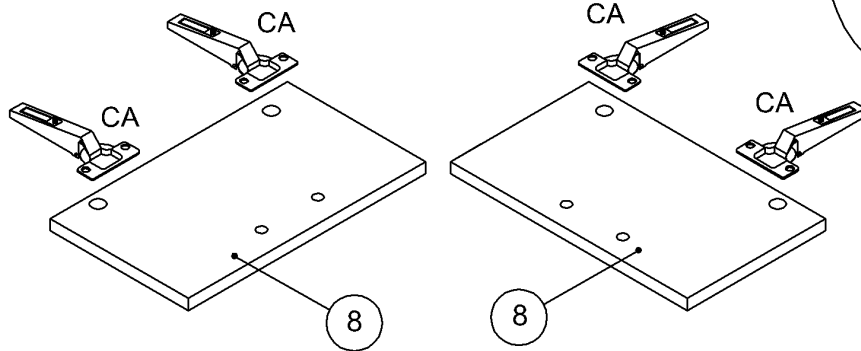


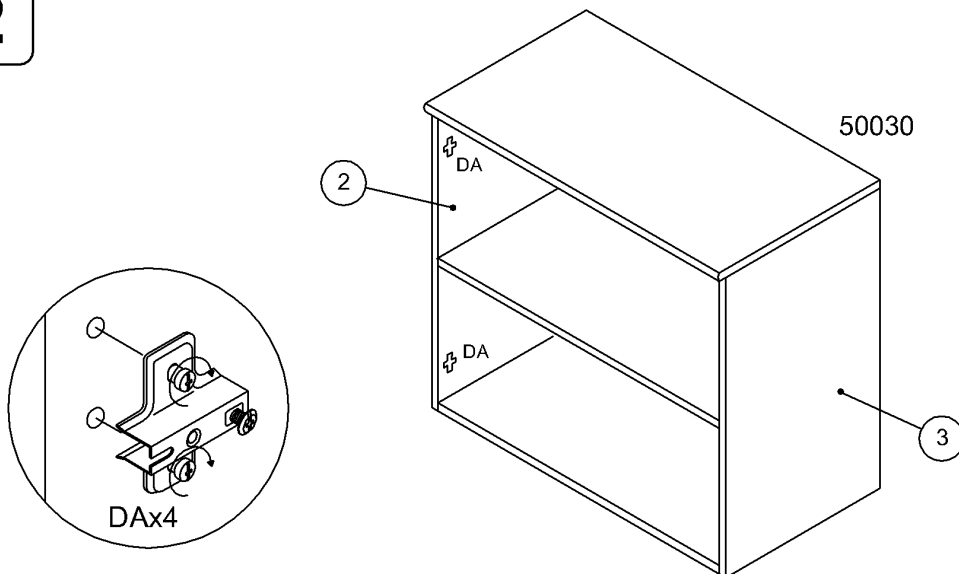
| | | | |
|-------------|-------------|-------------|-------------|
| CA 4 | DA 4 | LM 2 | NB 4 |
| VJ 8 | | | |



1

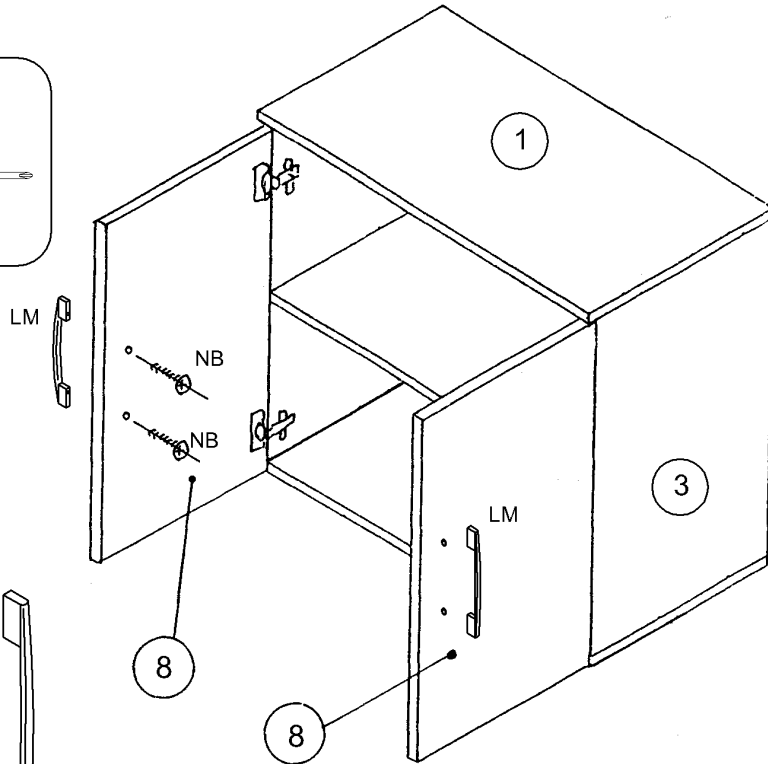
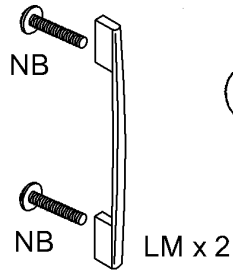
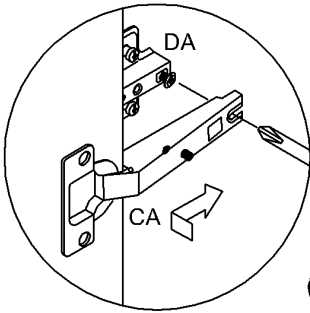
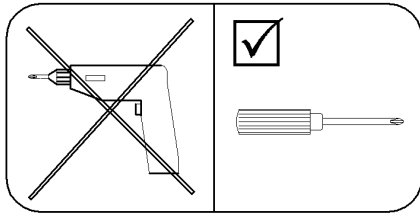


2

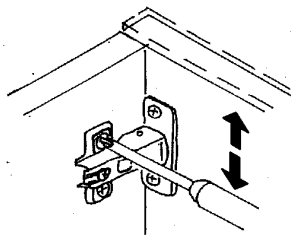


3

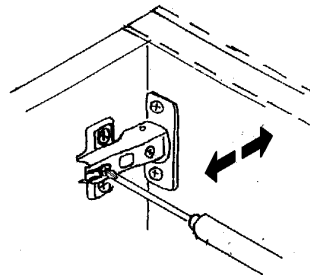
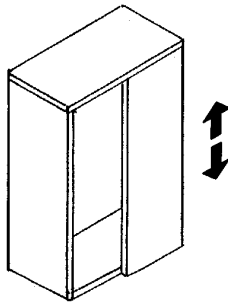
50067



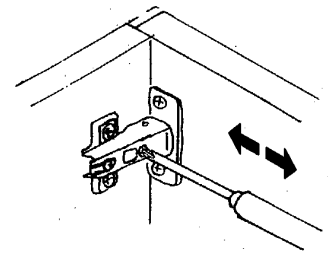
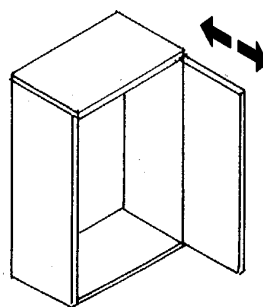
| | |
|----|-------------|
| F | REGLAGE |
| GB | ADJUSTING |
| I | REGOLAZIONE |
| E | AJUSTER |
| D | ANPASSUNG |
| P | REGULACAO |
| NL | AFSTELLING |



A



B



C

