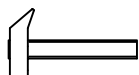



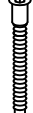


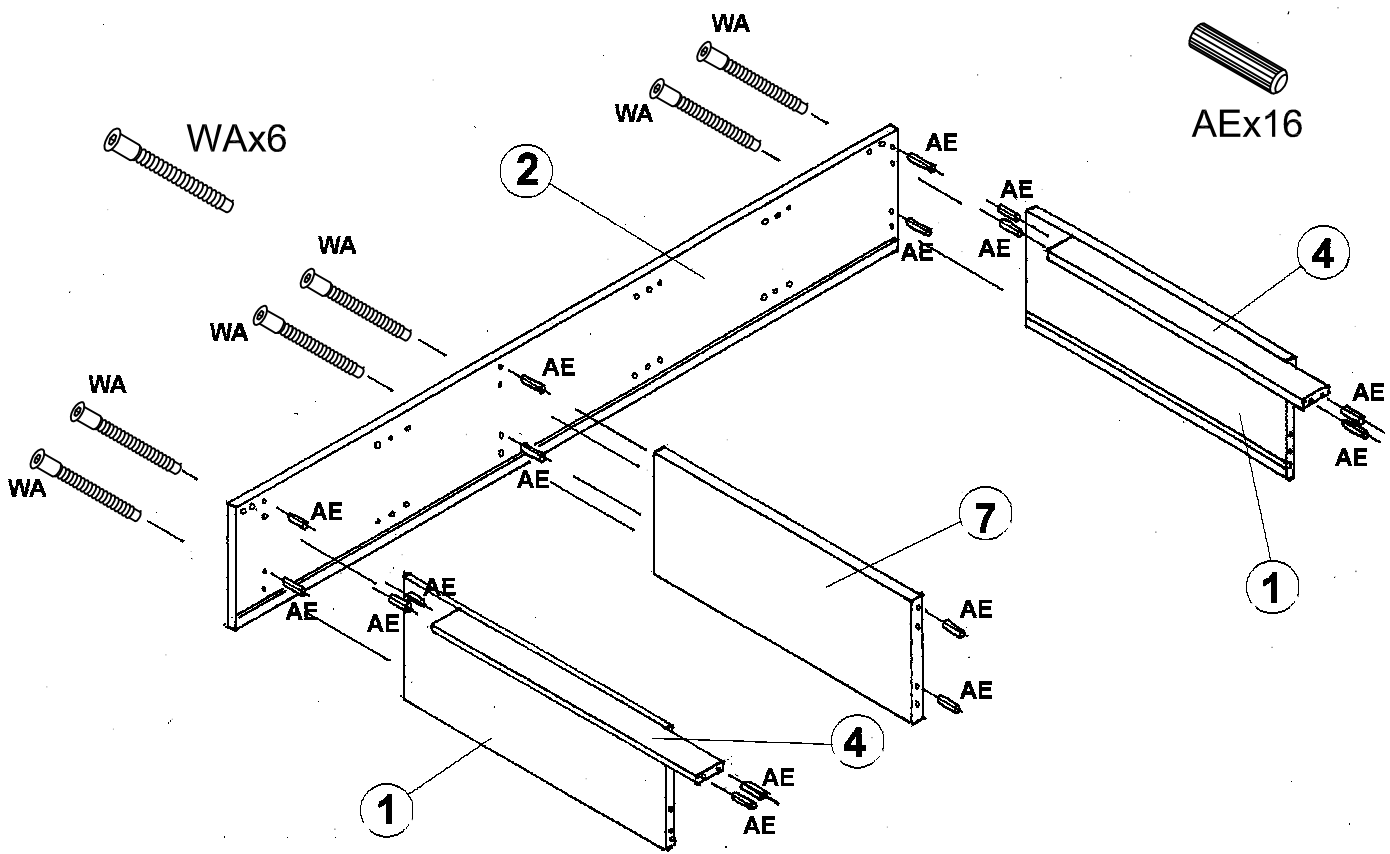


UTENSILI NECESSARI - OUTILS NECESSAIRES
TOOLS NEEDED

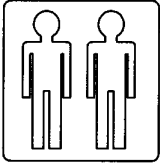


AE 20 	KE 12 	PB 4 	WA 12 	WE 1 	VM 4 					
------------------------------------------------------------------------------------------------	------------------------------------------------------------------------------------------------	-----------------------------------------------------------------------------------------------	------------------------------------------------------------------------------------------------	-----------------------------------------------------------------------------------------------	-----------------------------------------------------------------------------------------------	--	--	--	--	--

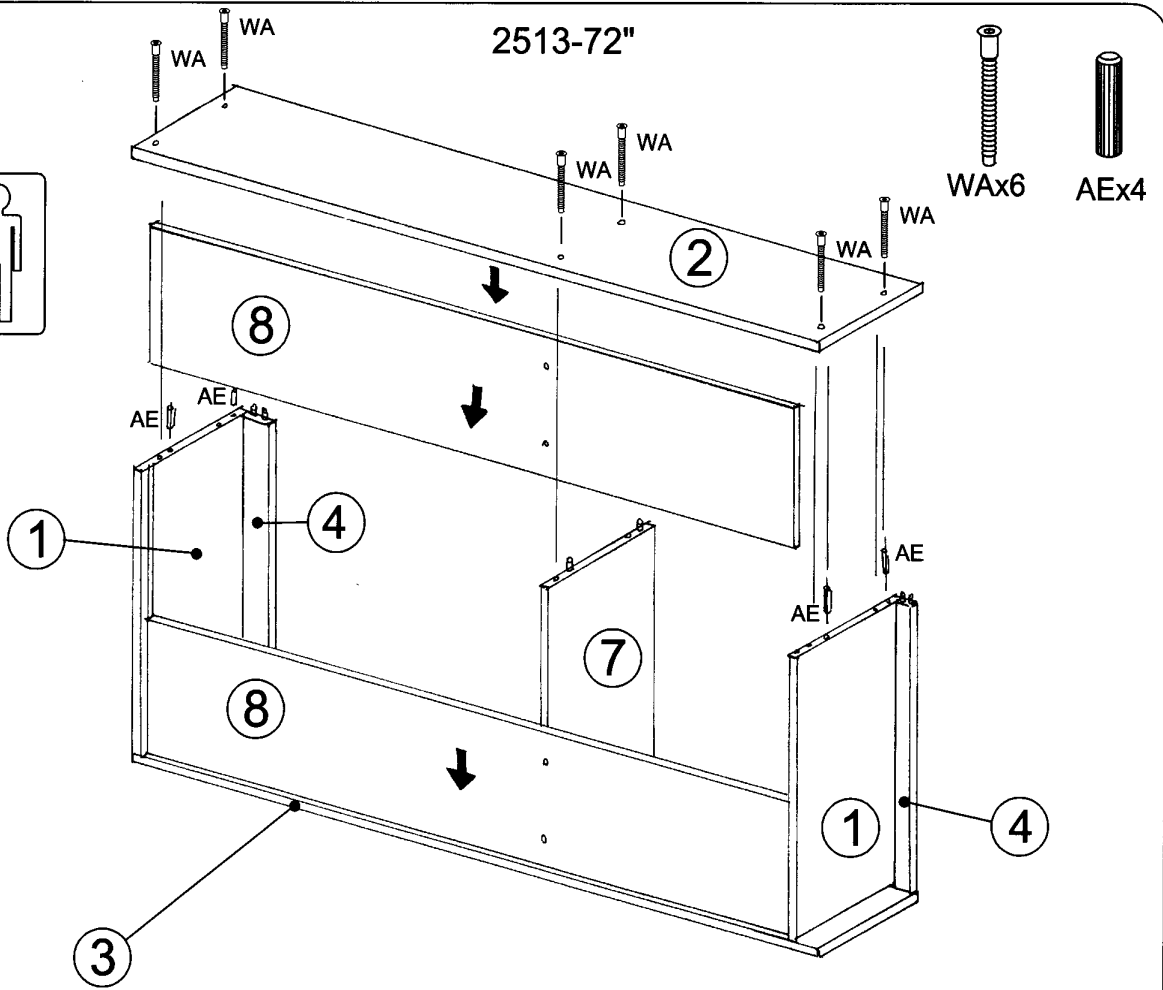
1



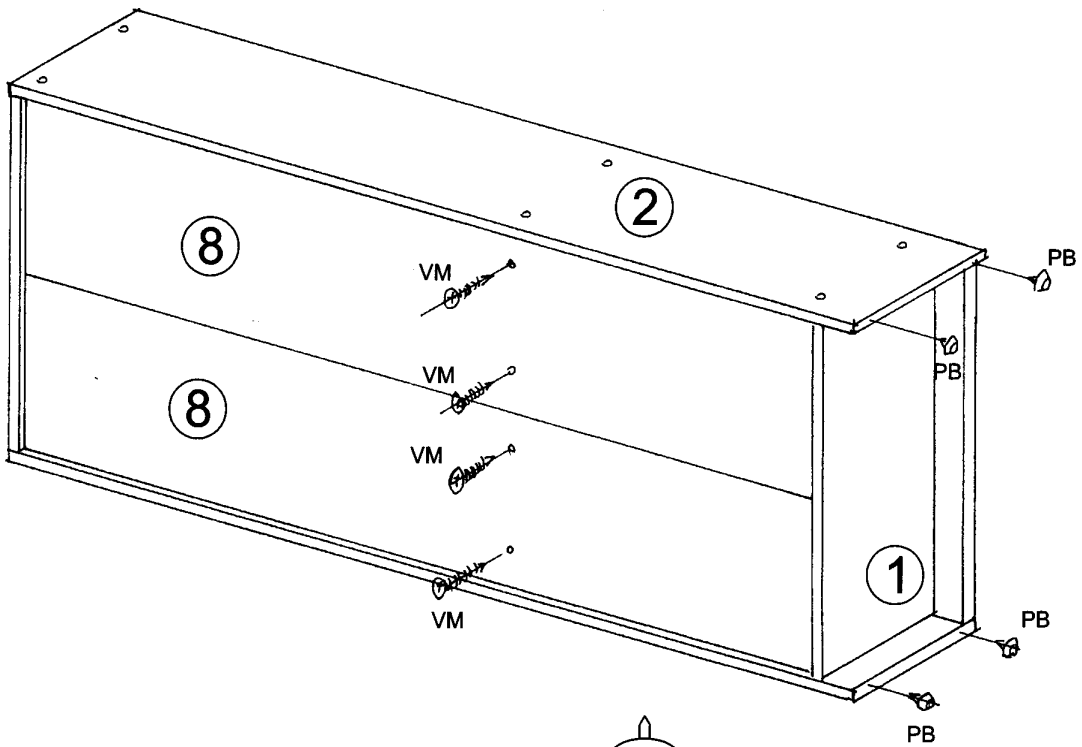
2



2513-72"



3



VMx4



PBx4

2513-72"

4

