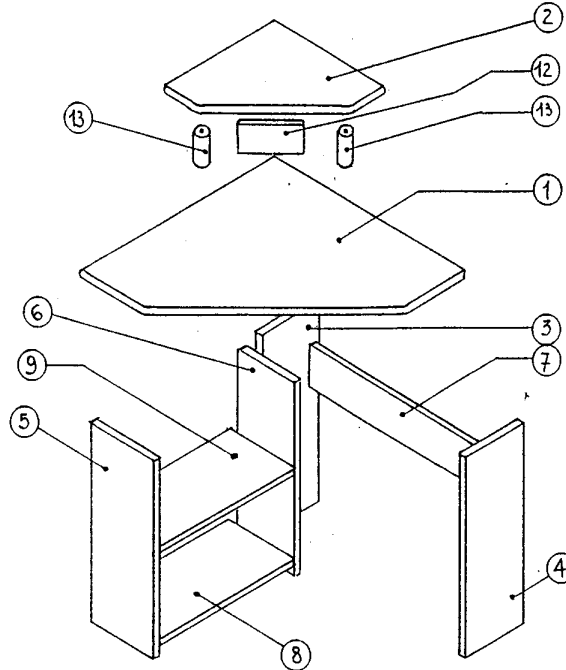
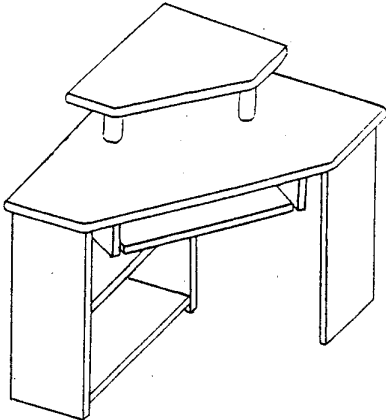
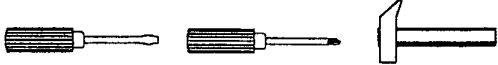


ISTRUZIONI DI MONTAGGIO - NOTICE DE MONTAGE - ASSEMBLY INSTRUCTIONS



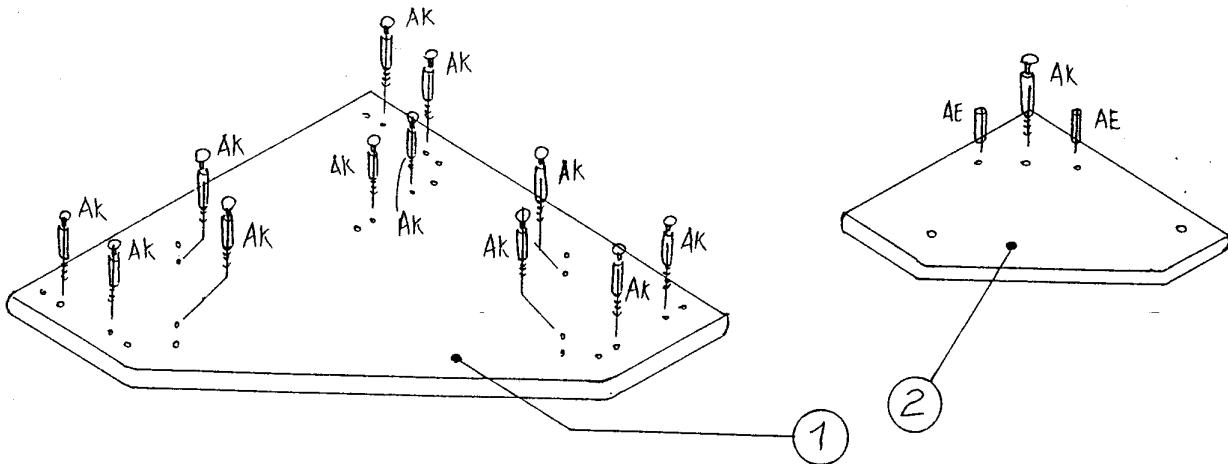
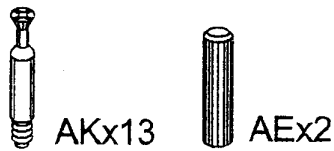
Codice pezzi di ricambio 17
Code pieces de rechange
Spare parts code

UTENSILI NECESSARI - OUTILS NECESSAIRES
TOOLS NEEDED

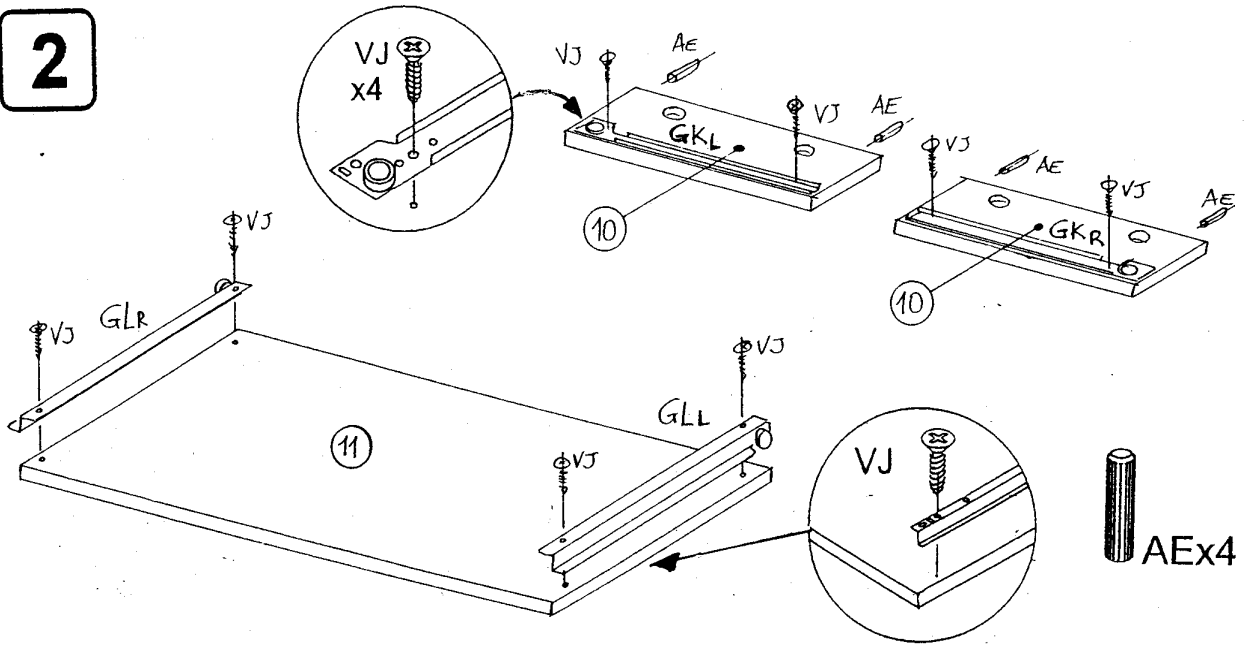


AE 22 	AK 21 	AM 21 	PC 8 	KF 4 	KG 4 	KH 8 	VJ ⊕ 8 	VN ⊕ 2 	LT 2
GK 1+1 	GL 1+1 								

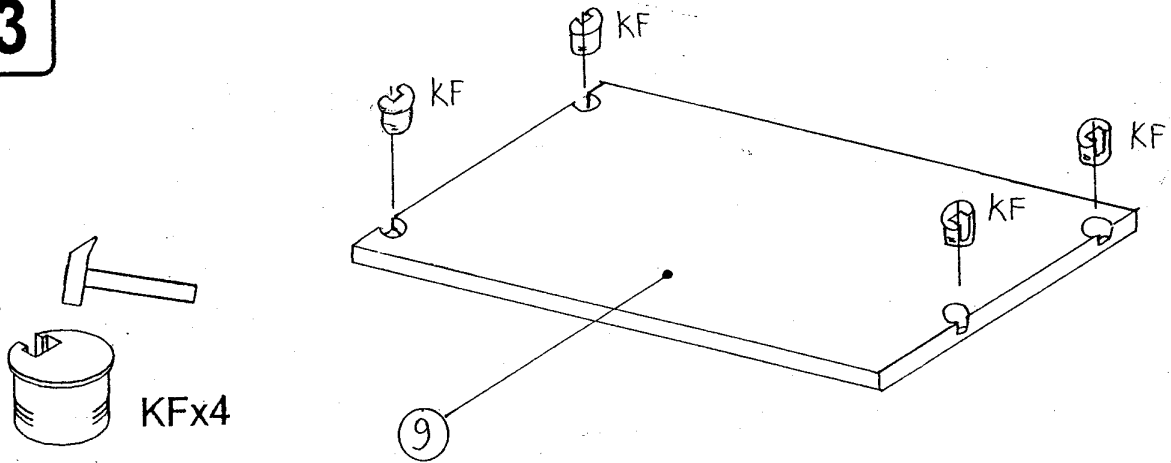
1



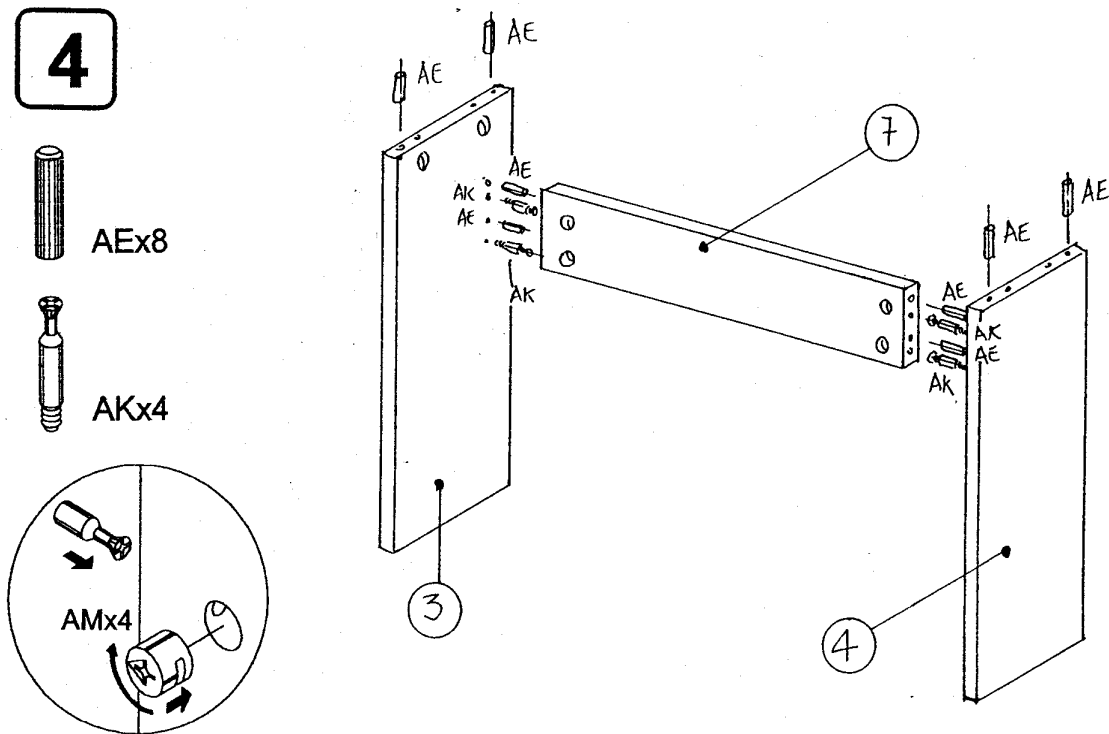
2



3



4



5

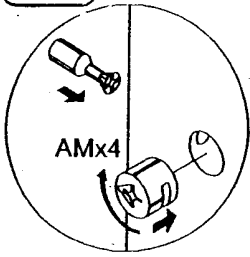


AKx4



AEx8

CD SMART



AMx4

AE

AE

5

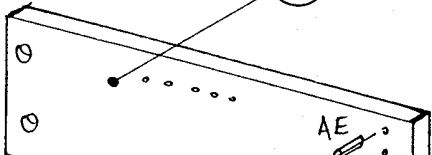
AE
AE

AE

AK

AK

AE



6

AM

AM

AM

AM

AM

AM

AM

AM

AM

AM

AM

AM

AM

AM

AM

AM

AM

AM

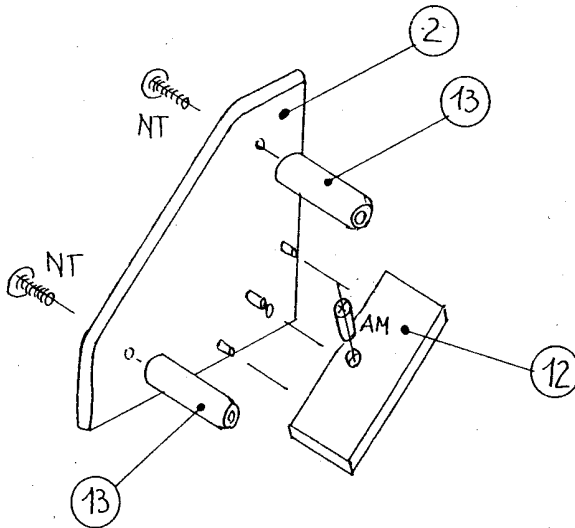
AM

AM

6



LTx2



NT

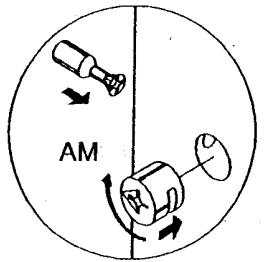
NT

2

13

13

12

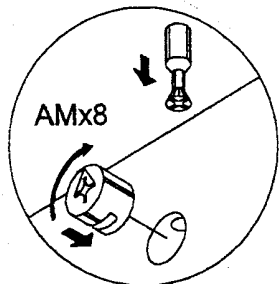


AM

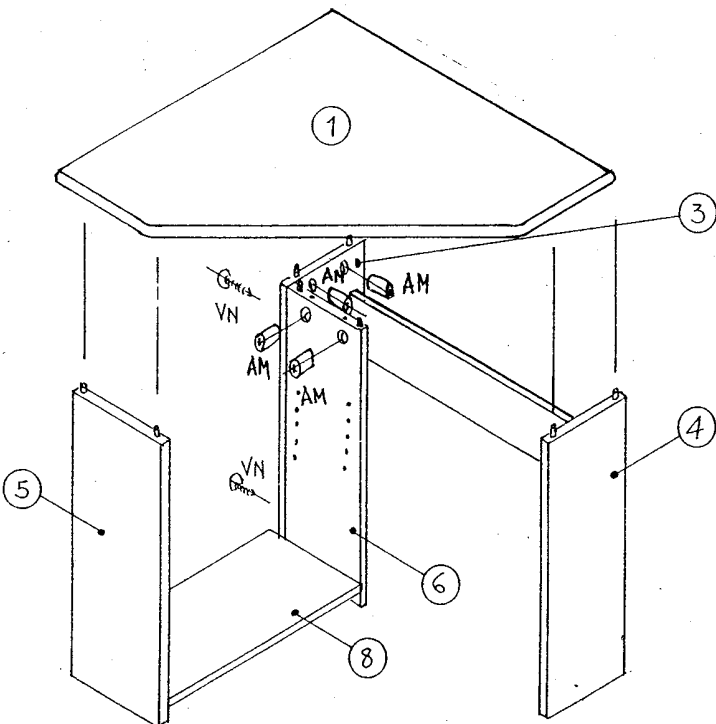
7



VNx2



AMx8



1

3

4

5

6

8

VNx2

VNx2

VNx2

VNx2

VNx2

VNx2

VNx2

VNx2

AMx8

AMx8

AMx8

AMx8

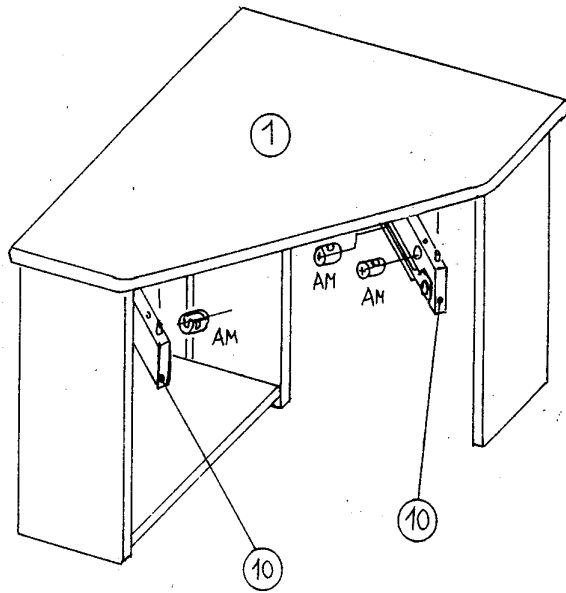
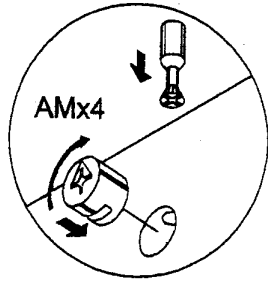
AMx8

AMx8

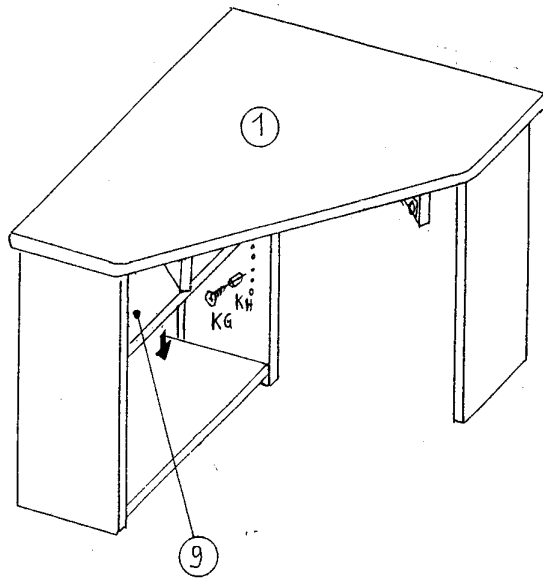
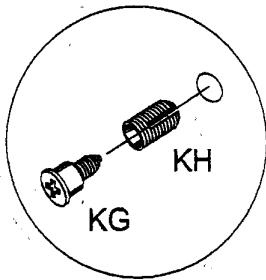
AMx8

AMx8

8



9



10

