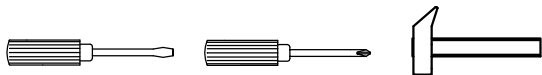


UTENSILI NECESSARI – OUTILS NECESSAIRES  
TOOLS NEEDED

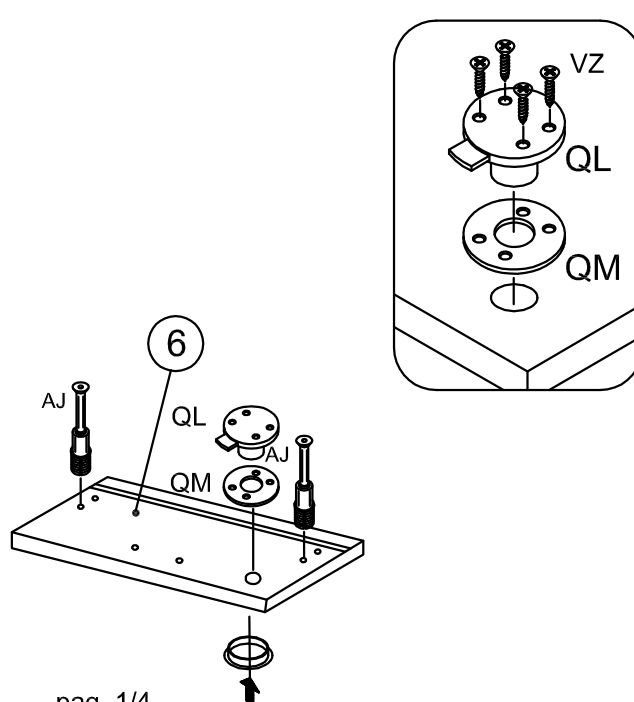
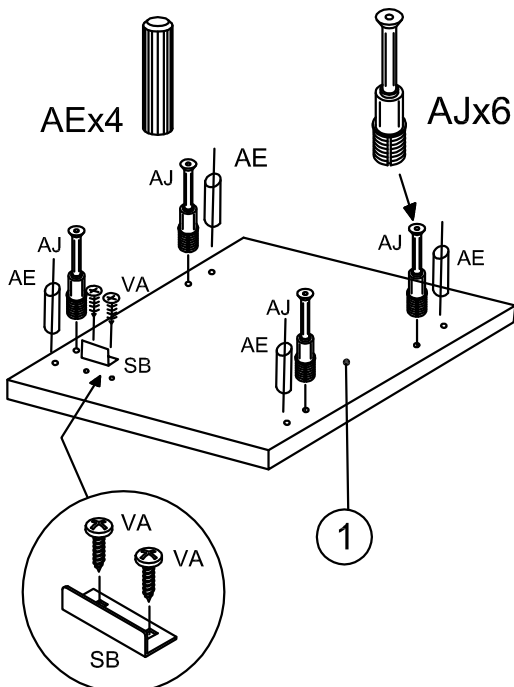


AE 16 	AJ 12 	AM 12 	LG 2 	NA 4 	QL 1 	QM 1 	RA 4 	RT 4 	RL 4 
SB 1 	WA 4 	WE 1 	VA 10 	VJ 10 	VZ 4 	WP 8 	FJ 1 	RK 1 	NJ 2 

**1**

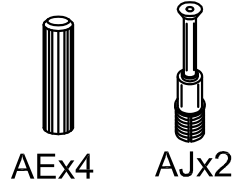
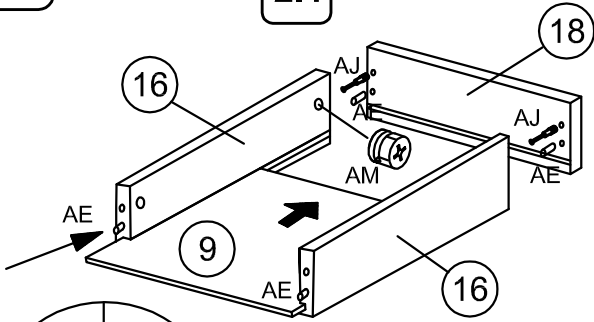


FC 2 	GD-R 2+2 	GD-L 2+2 	GC-L 2+2 	GC-R 2+2 
-------------	-----------------	-----------------	-----------------	-----------------

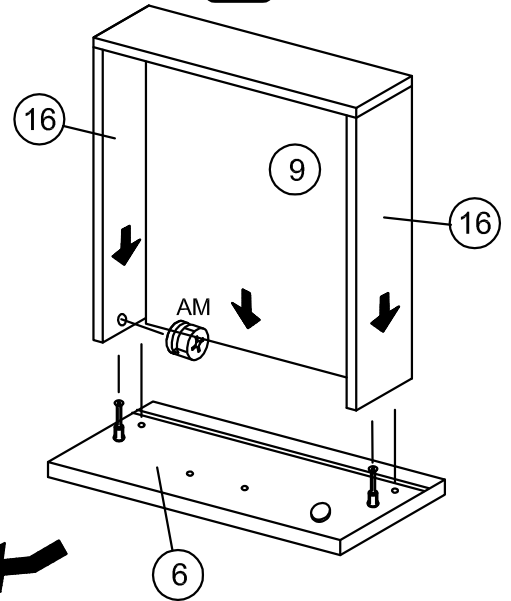


2

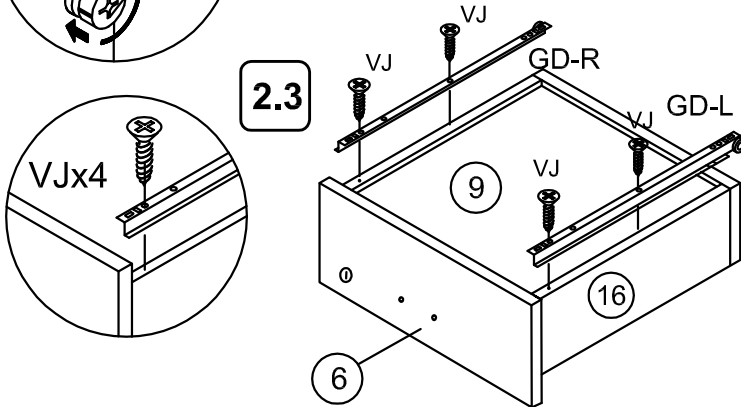
2.1



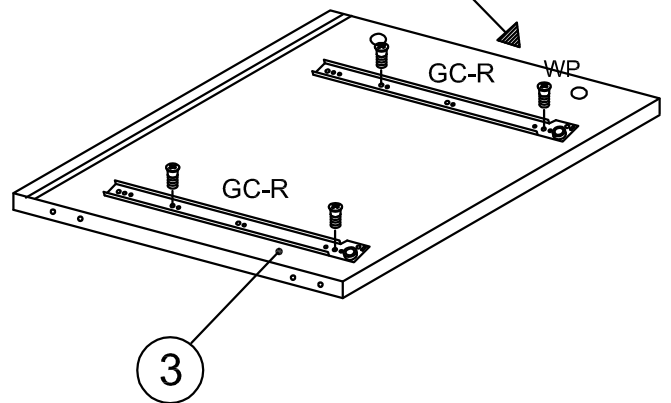
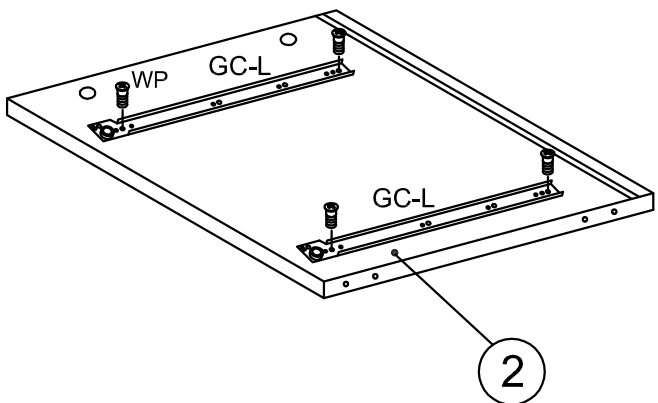
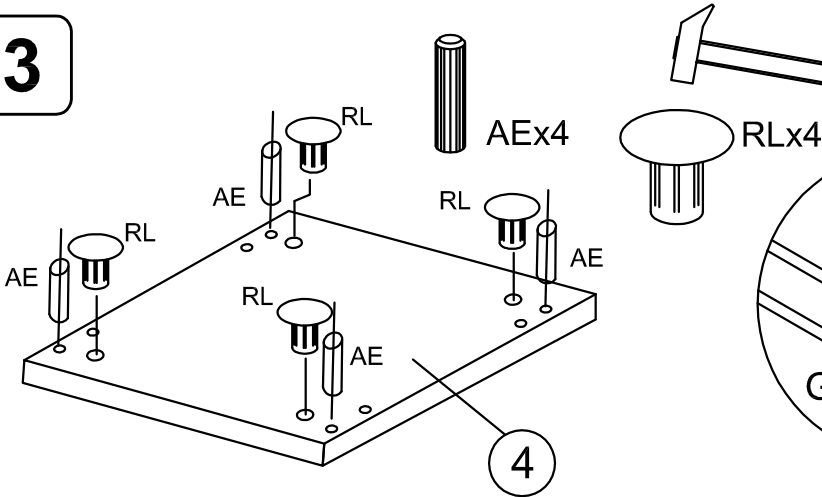
2.2



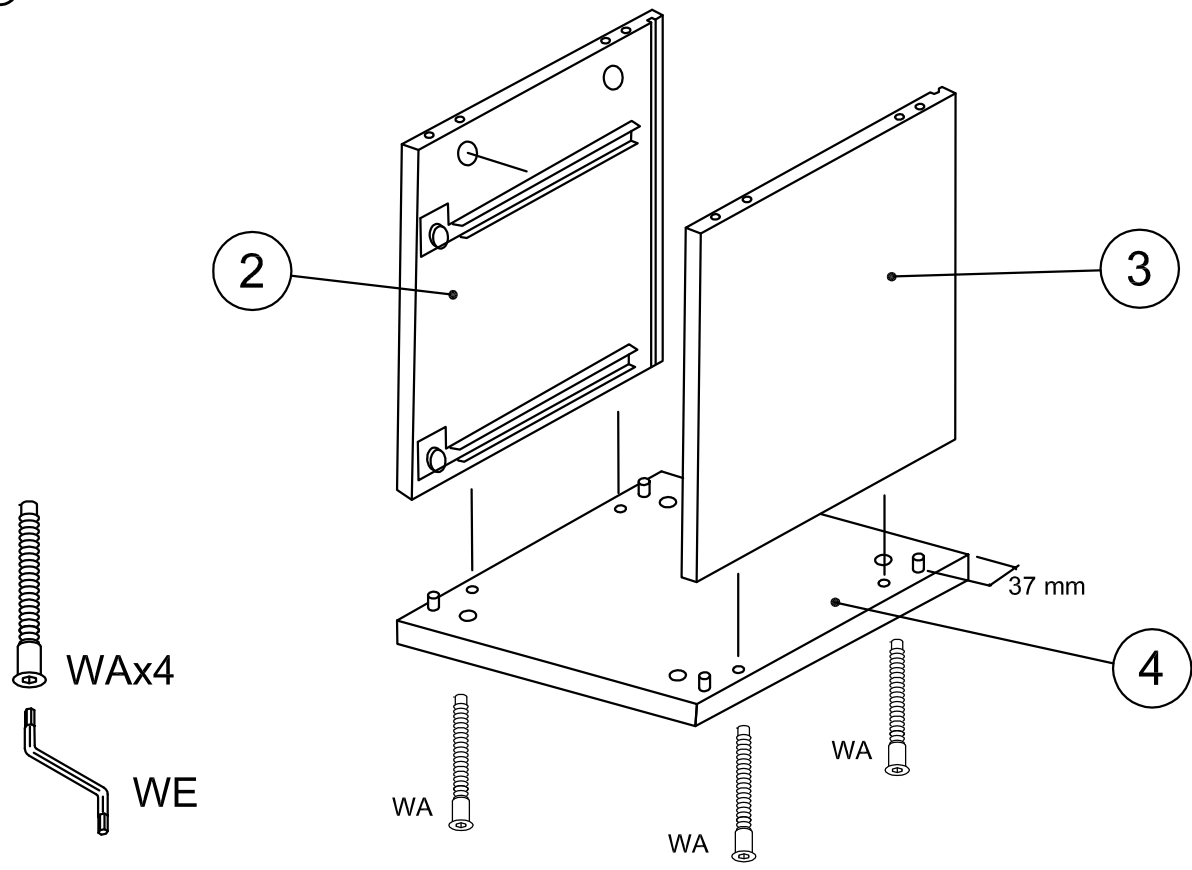
2.3



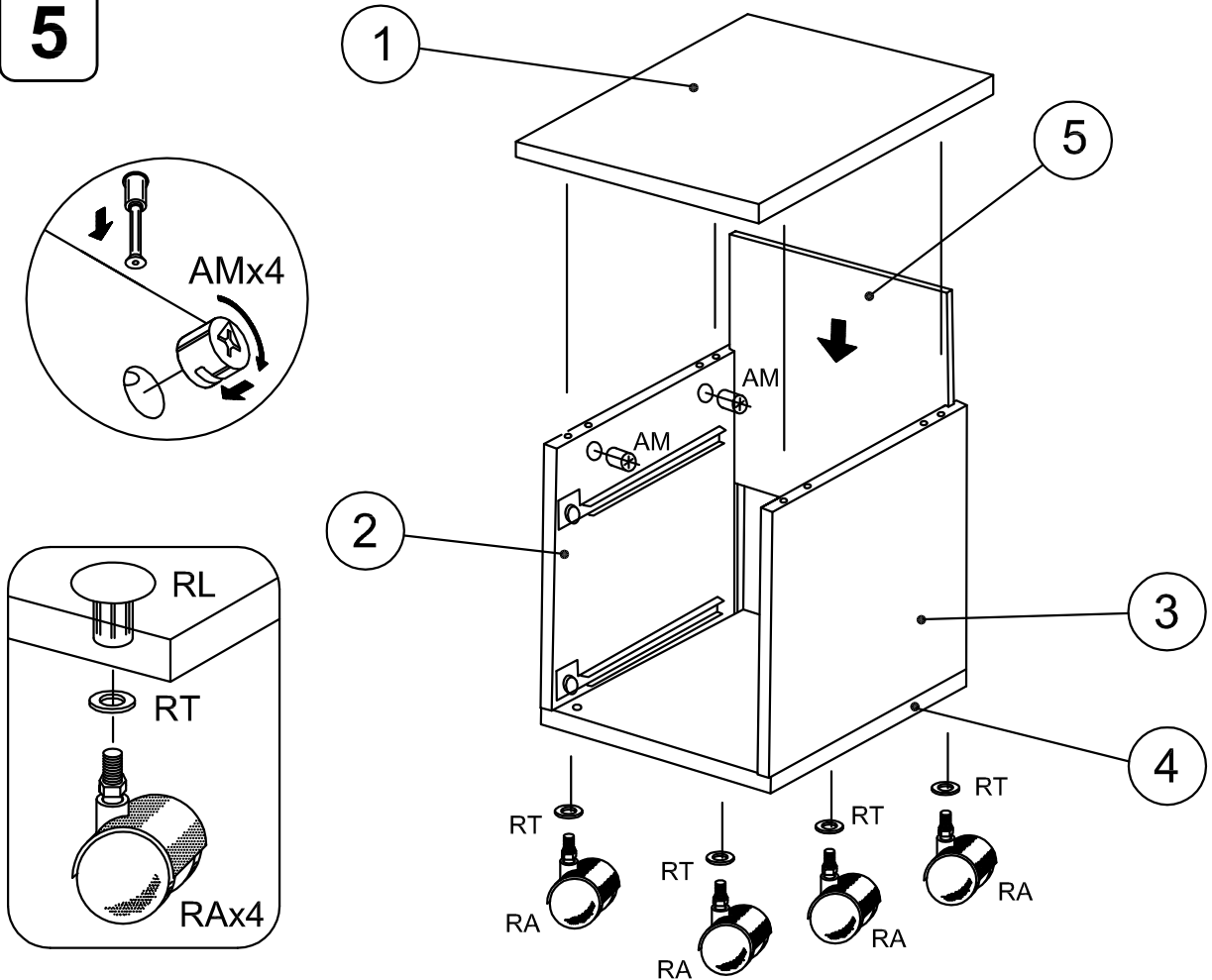
3



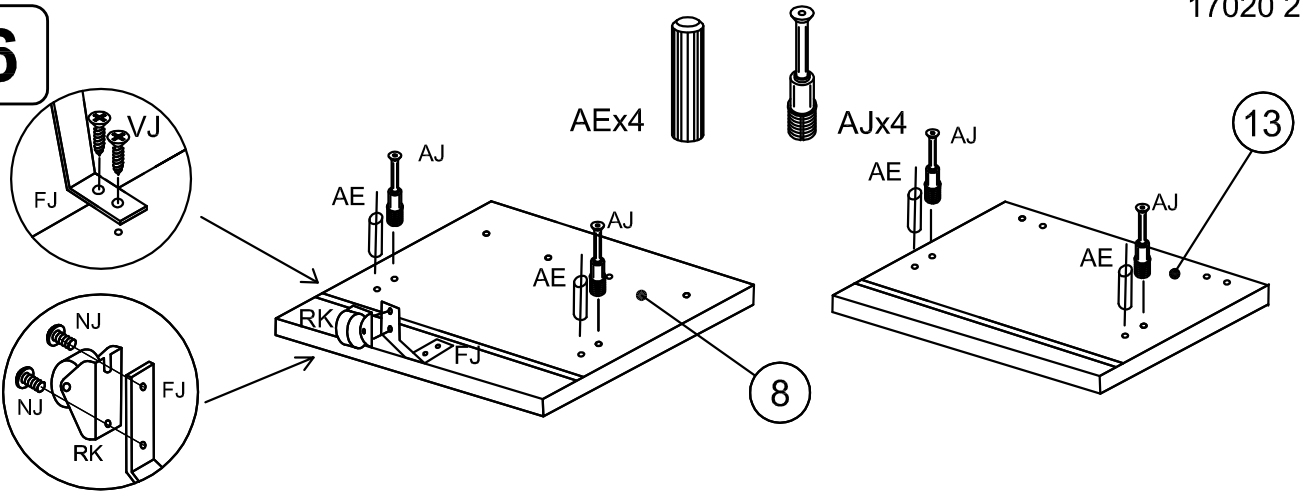
4



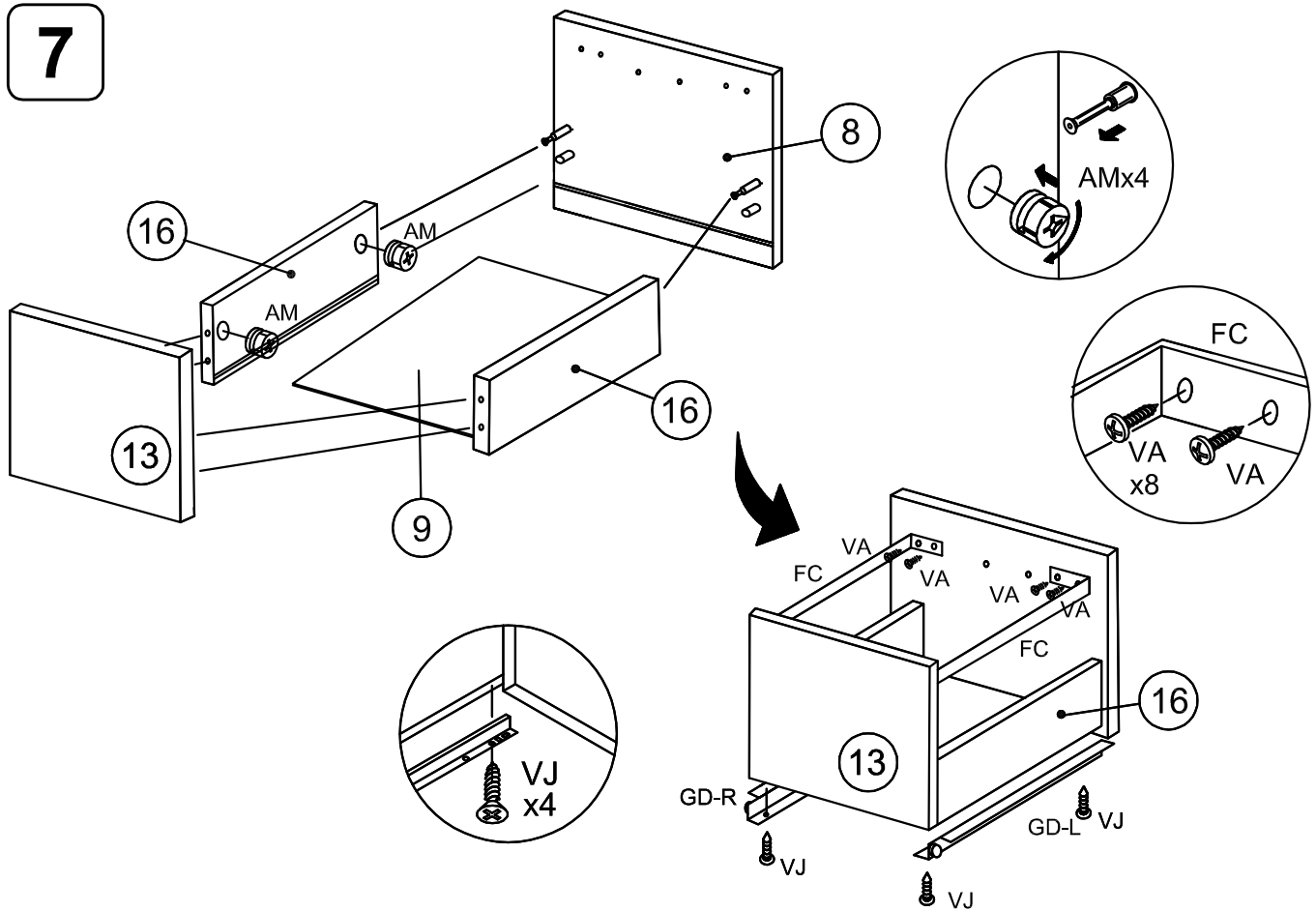
5



6



7



8

