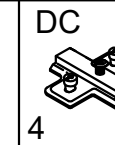
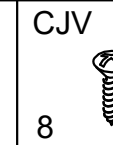
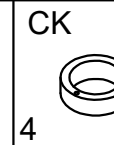
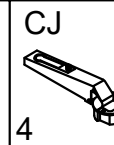
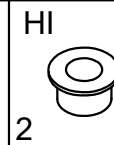
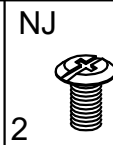
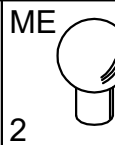
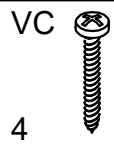
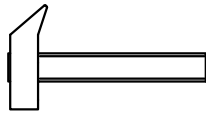
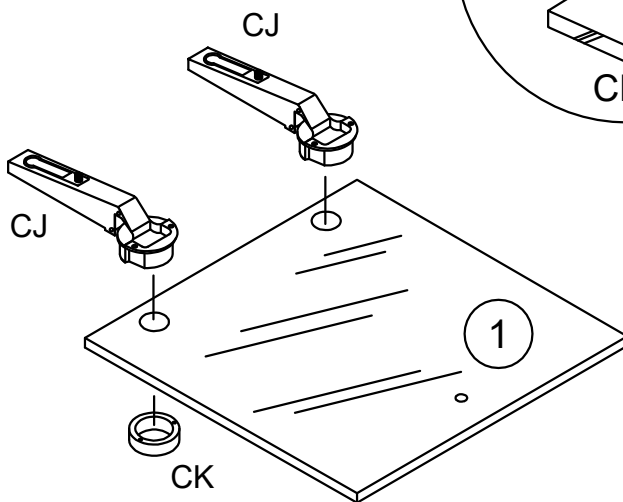


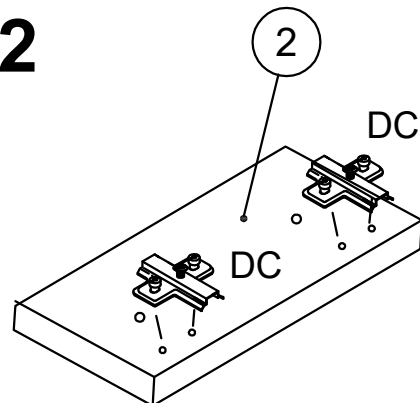
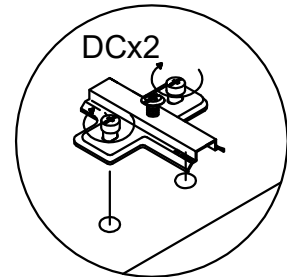
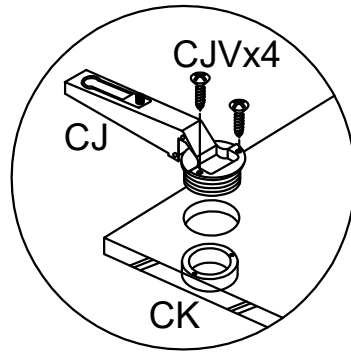
x 2



1



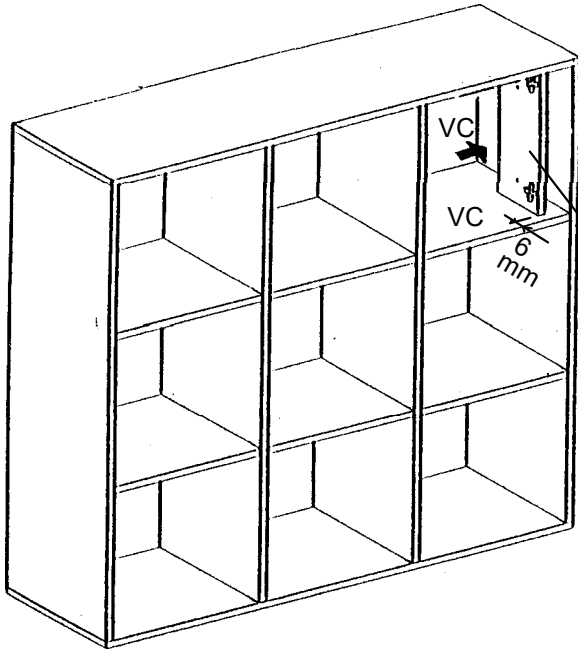
x 2



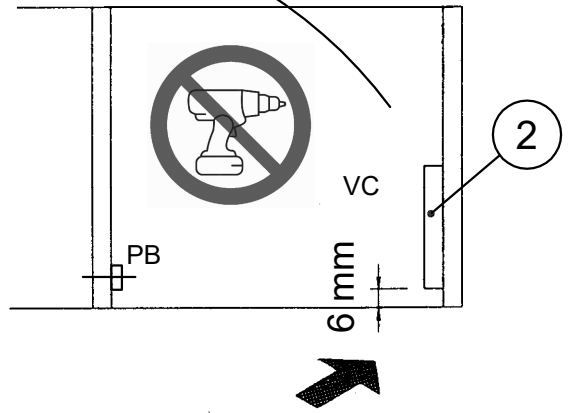
2A MAXX

2

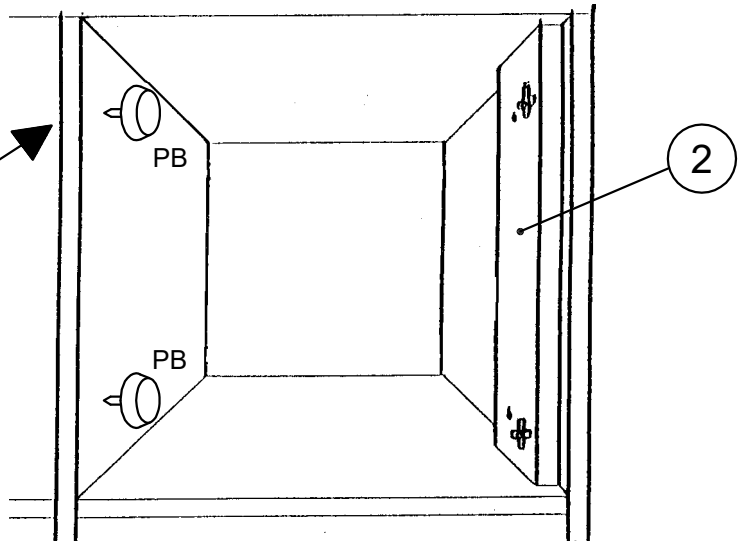
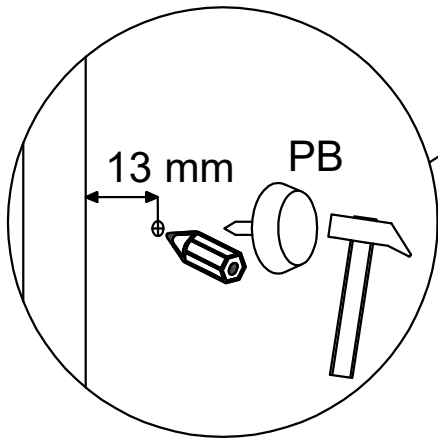
9 MAXC
6 MAXC
3 MAXC



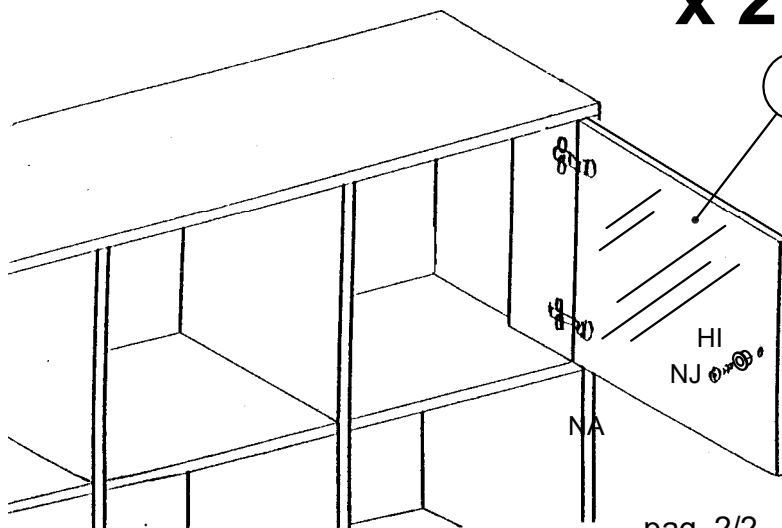
VCx2



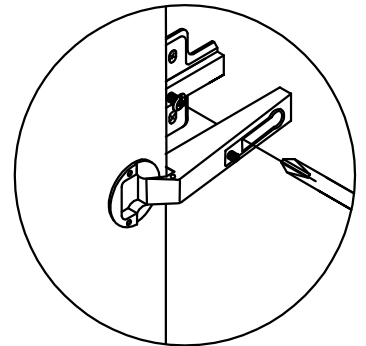
3



4



x 2



ME

HI

NJ

NJ

HI

ME