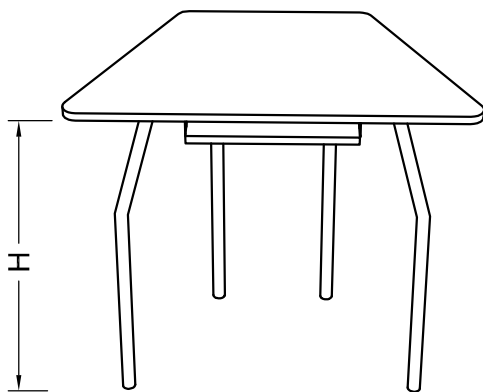
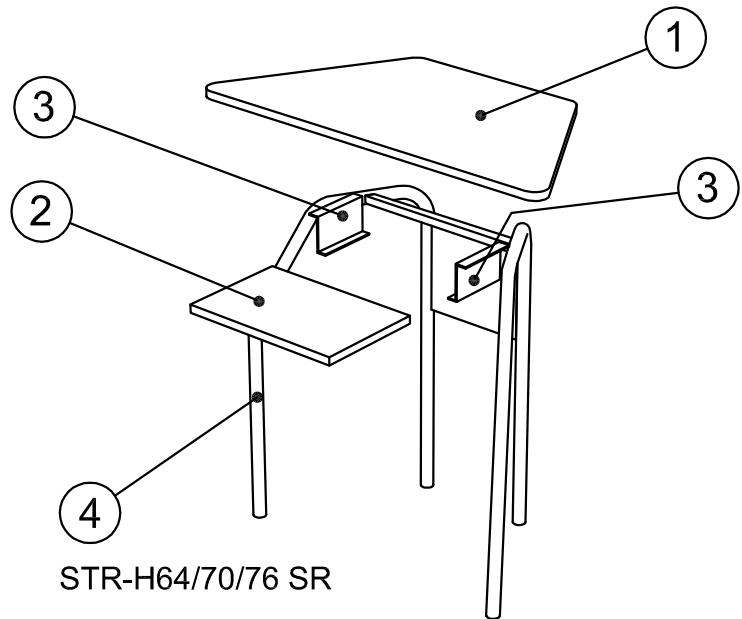
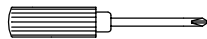


ISTRUZIONI DI MONTAGGIO - NOTICE DE MONTAGE - ASSEMBLY INSTRUCTIONS



H= 64/70/76 cm

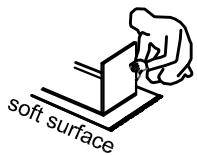
utensili necessari  
outils nécessaires  
tools required



STR-H64/70/76 SR

BZ 8 	WL 1 6 	VA 4 		NM 8 	VM6-45 4 	DM6 4 	V4-16 4 	
-------------	------------------	-------------	--	-------------	-----------------	--------------	----------------	--

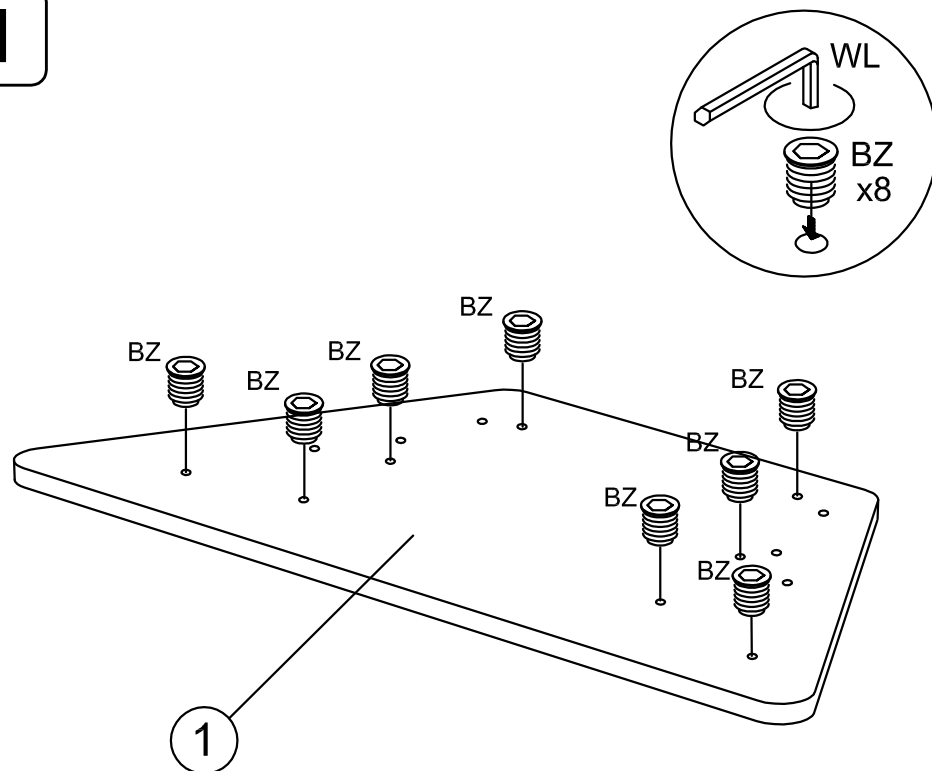
NOTES



Instructions

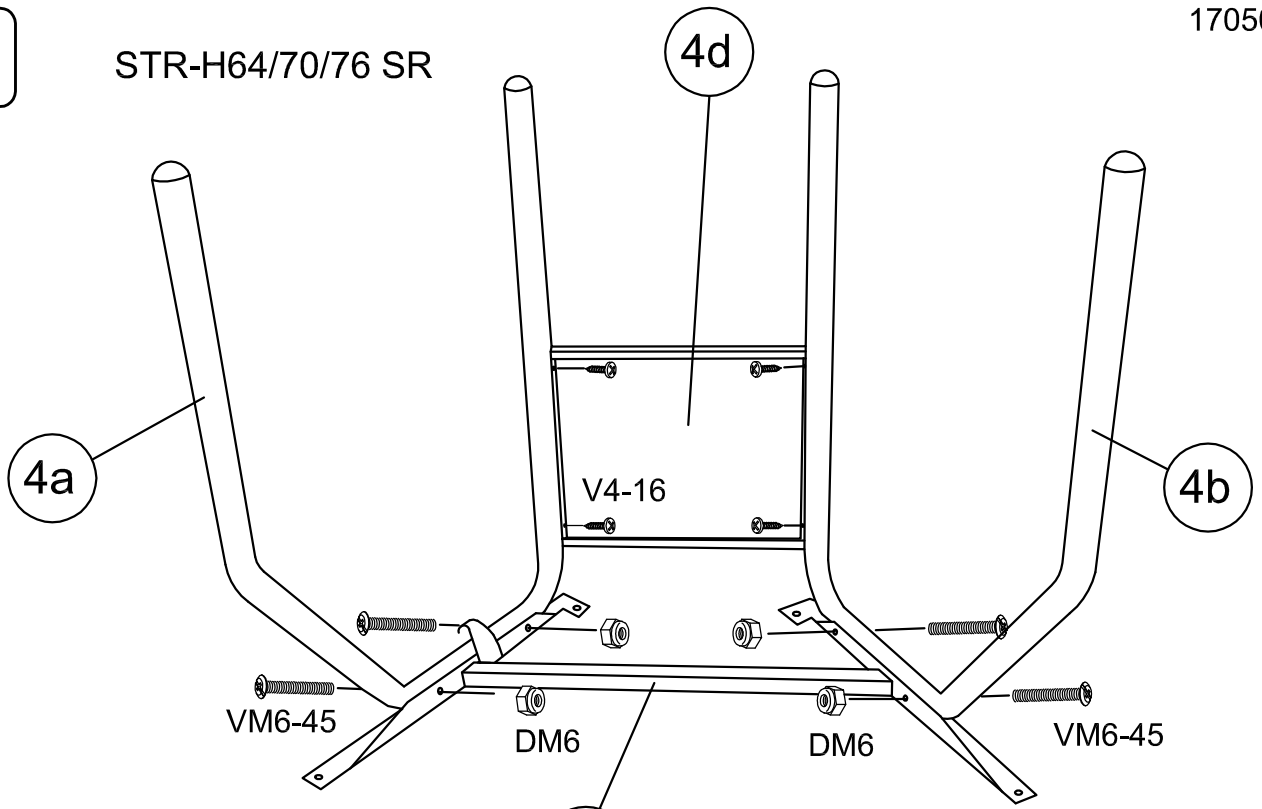


**1**



**2**

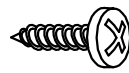
STR-H64/70/76 SR



VM6-45 x4



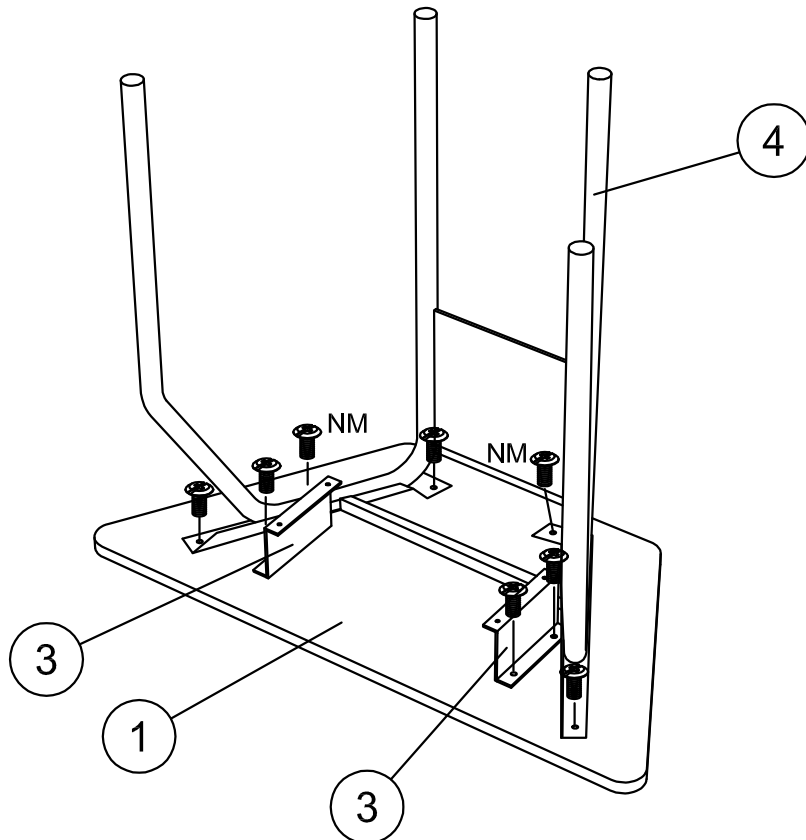
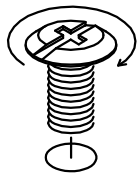
DM6



V4-16 x4

**3**

NMx8



4

