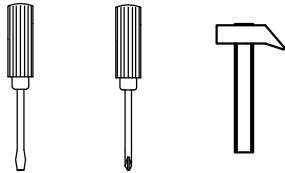


utensili necessari
outils nécessaires
tools required



16020 (a) :

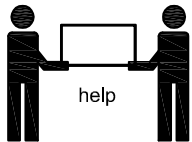
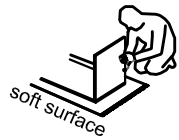
part. (1) (4) (8) (9) + ferramenta

16020 (b):

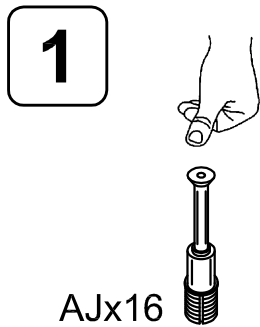
part. (2) (5)

AE 20 	AJ 18 	AM 18 	PA 5 	WE 1 	KG 16 	KH 20 	CA 6 	DA 6 	VJ 18
MG 2 	NB 2 	QTA 1 	QTB 1 	QTC 1 	QTD 2 	QTG 2 	VM 8 3.5x25 	VE 6 12 	

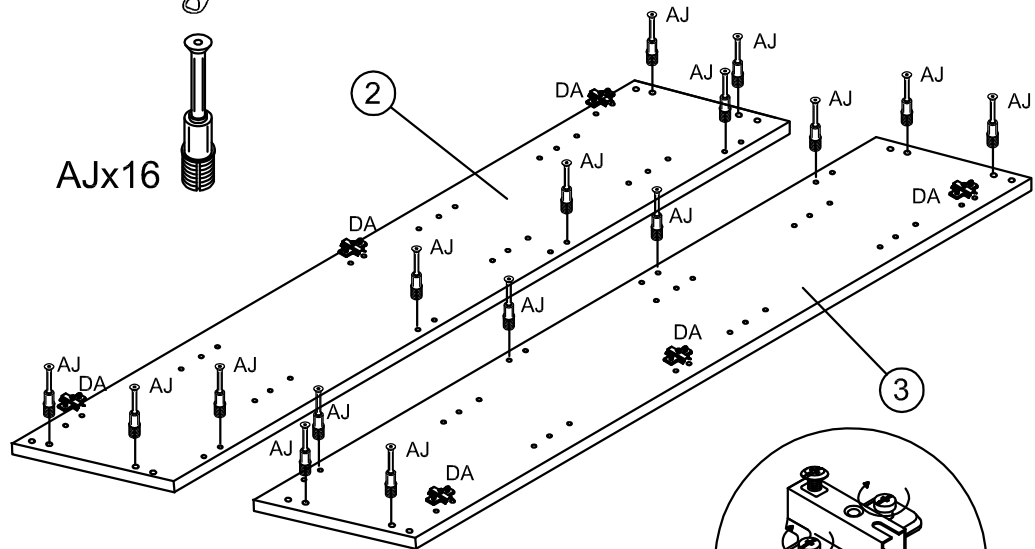
NOTES



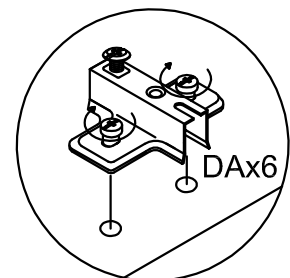
Instructions



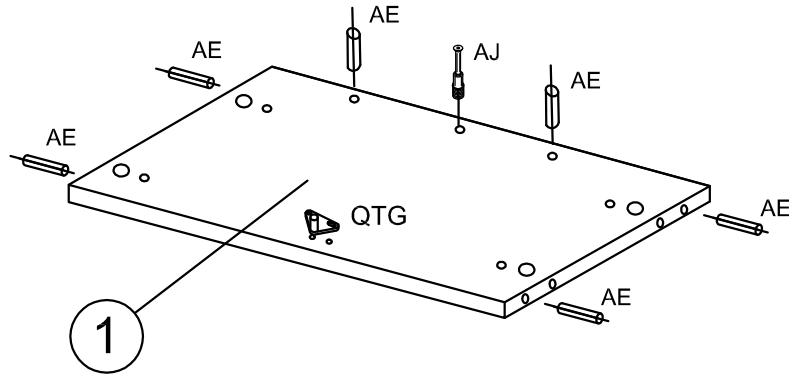
AJx16



QTE (a+b)
a=1005 mm
b=876 mm
1+1



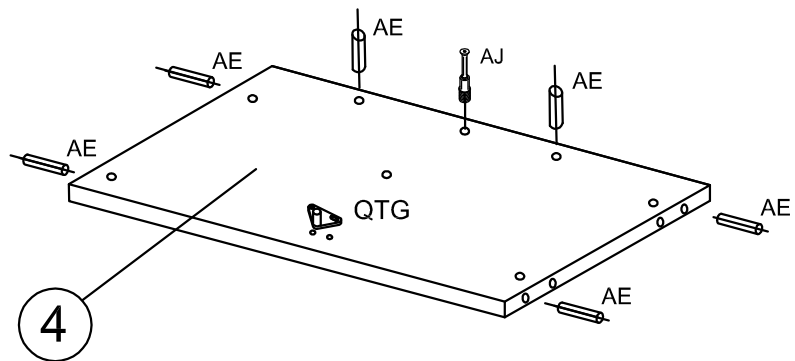
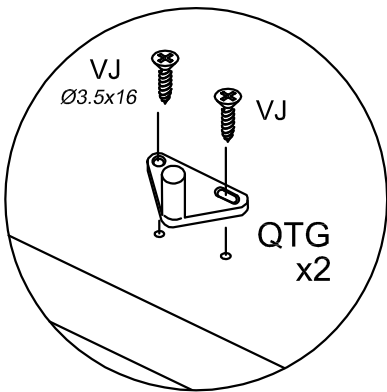
2



AEx12

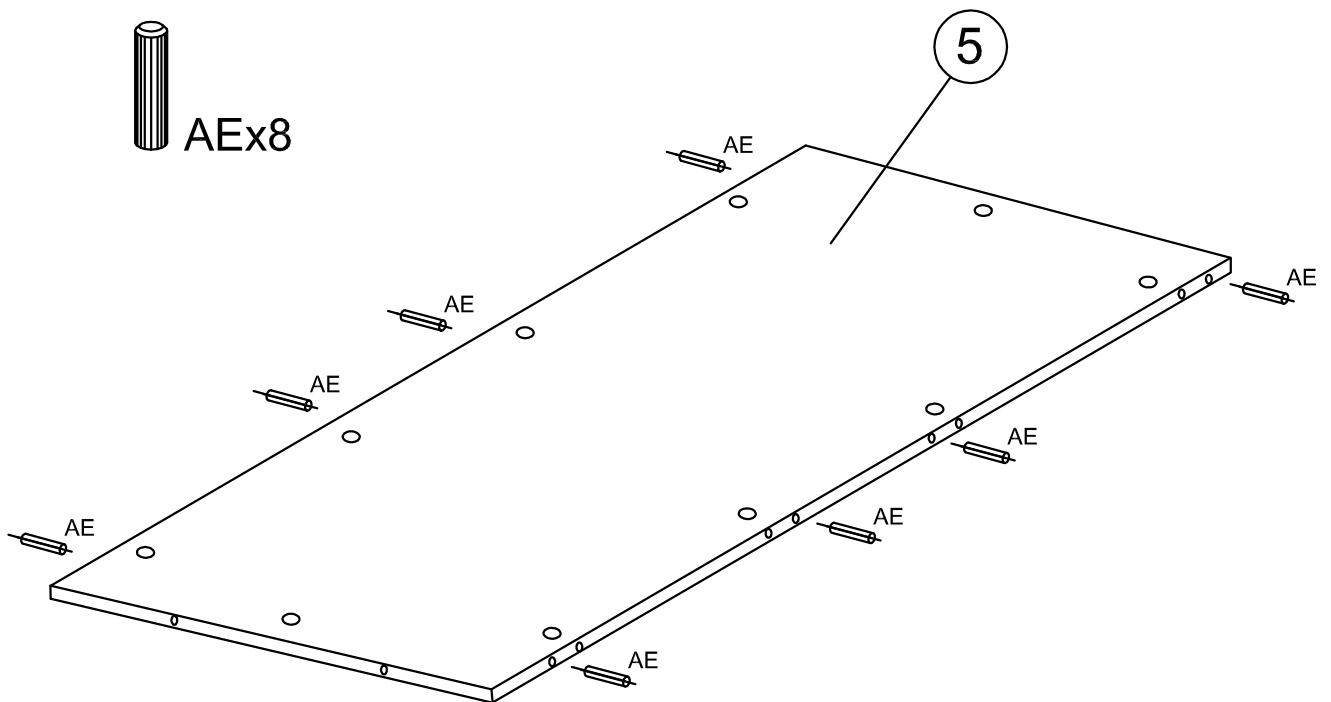


AJx2

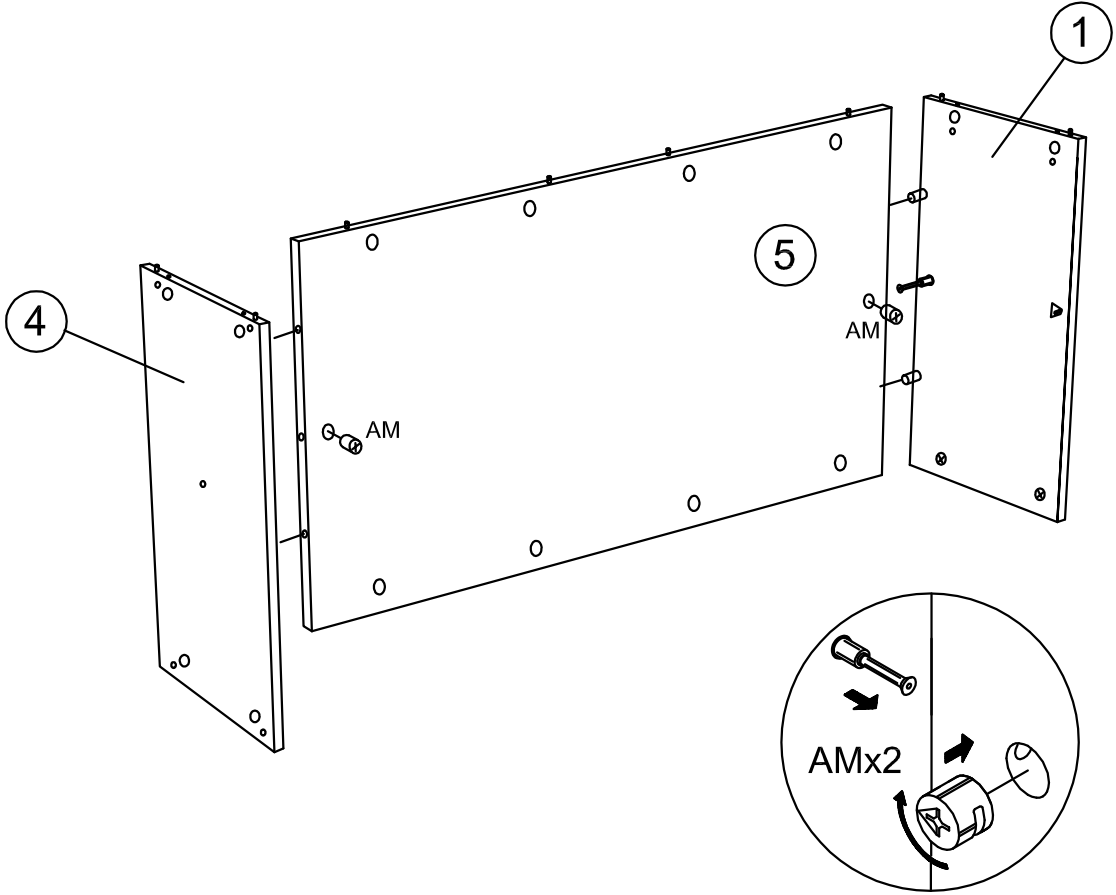


3

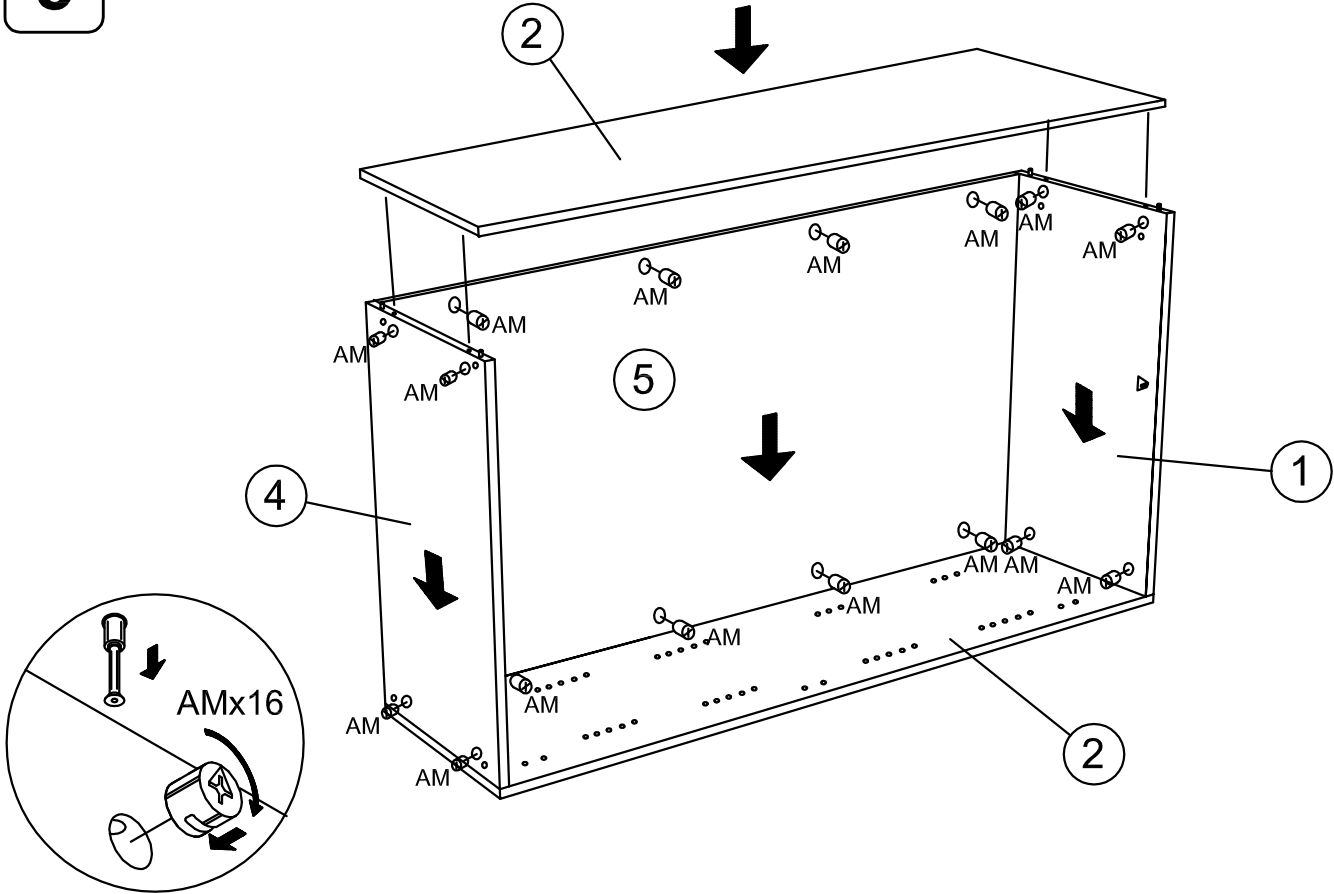
AEx8



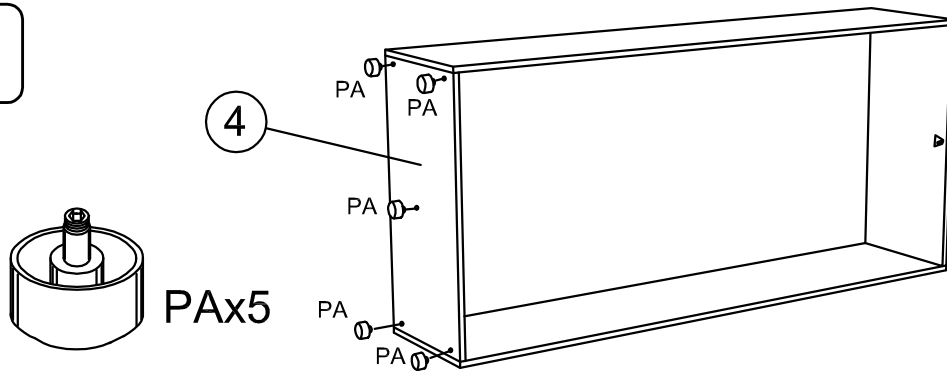
4



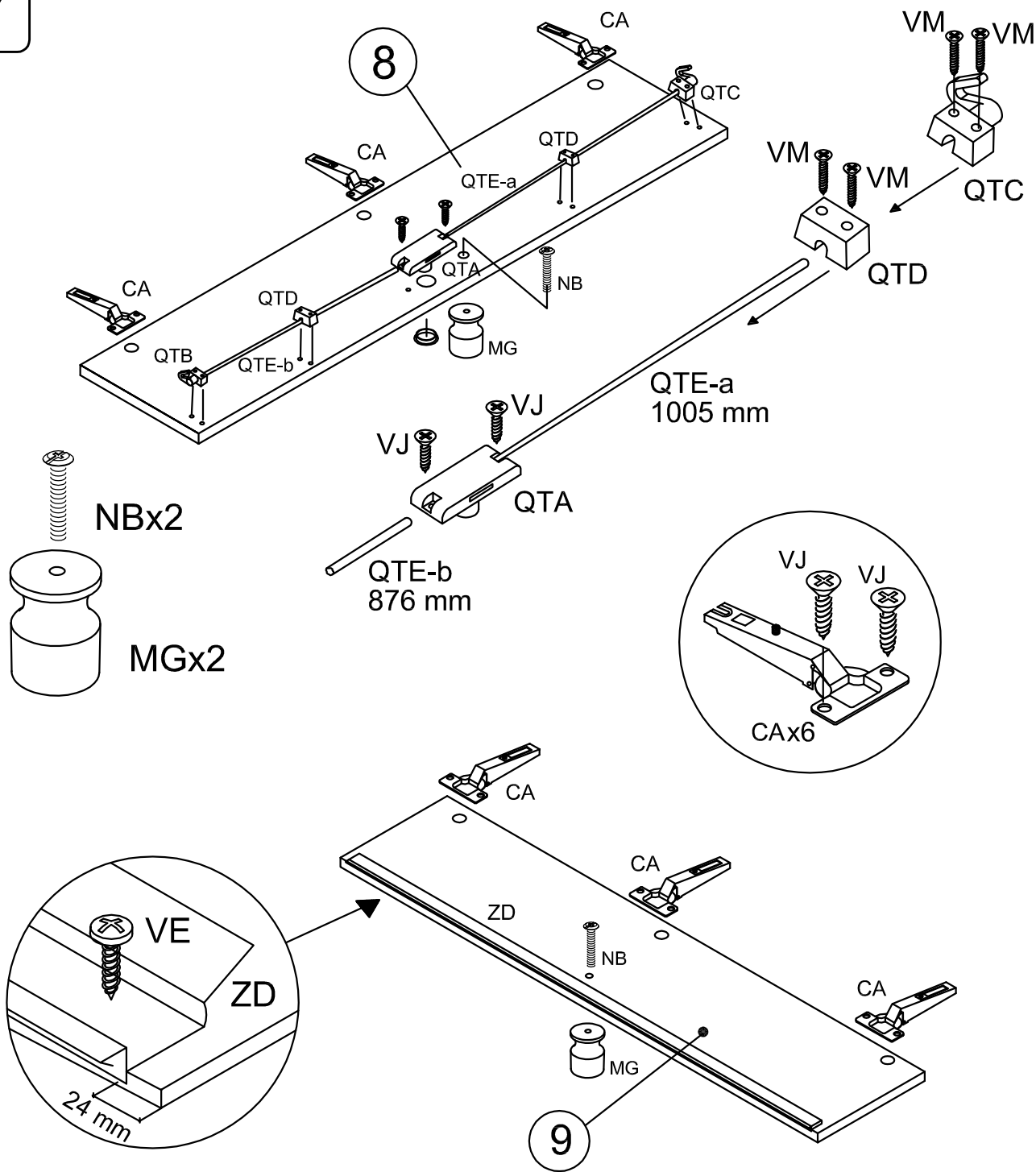
5



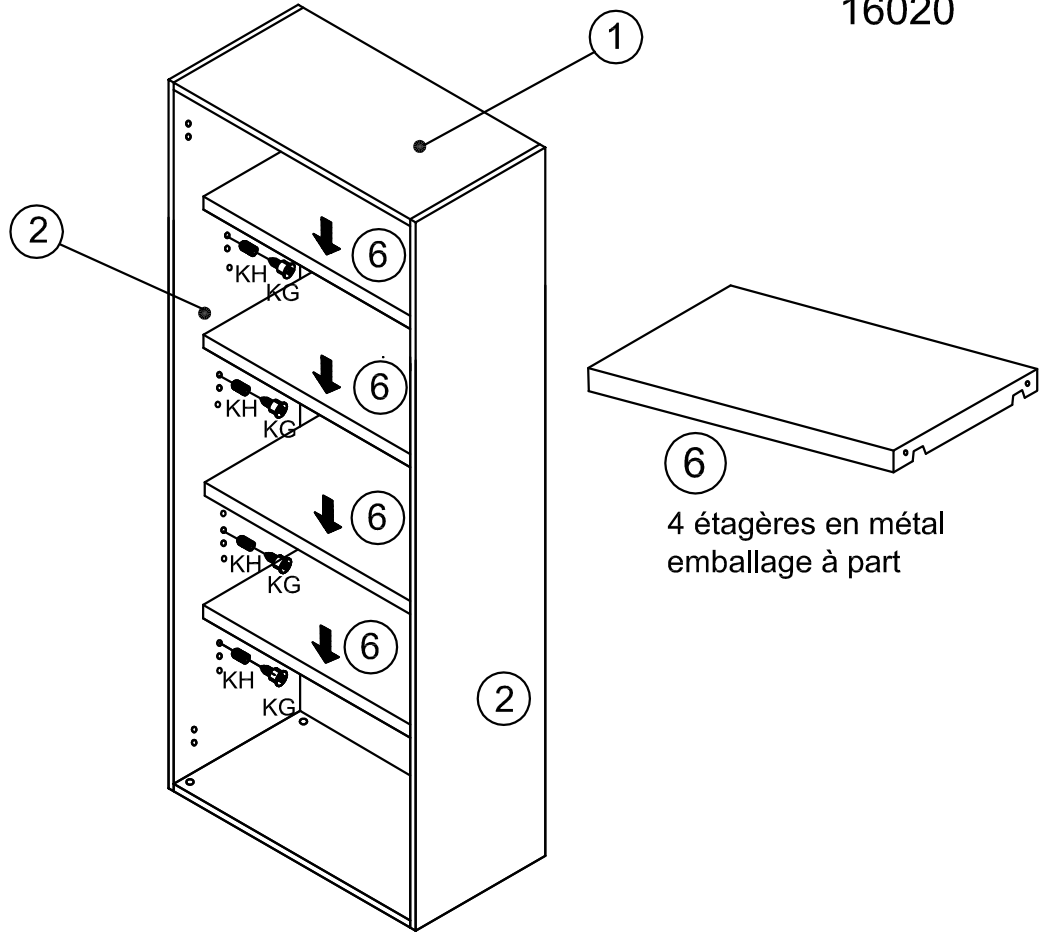
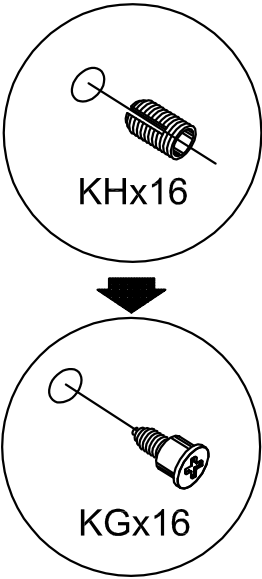
6



7



8



9

